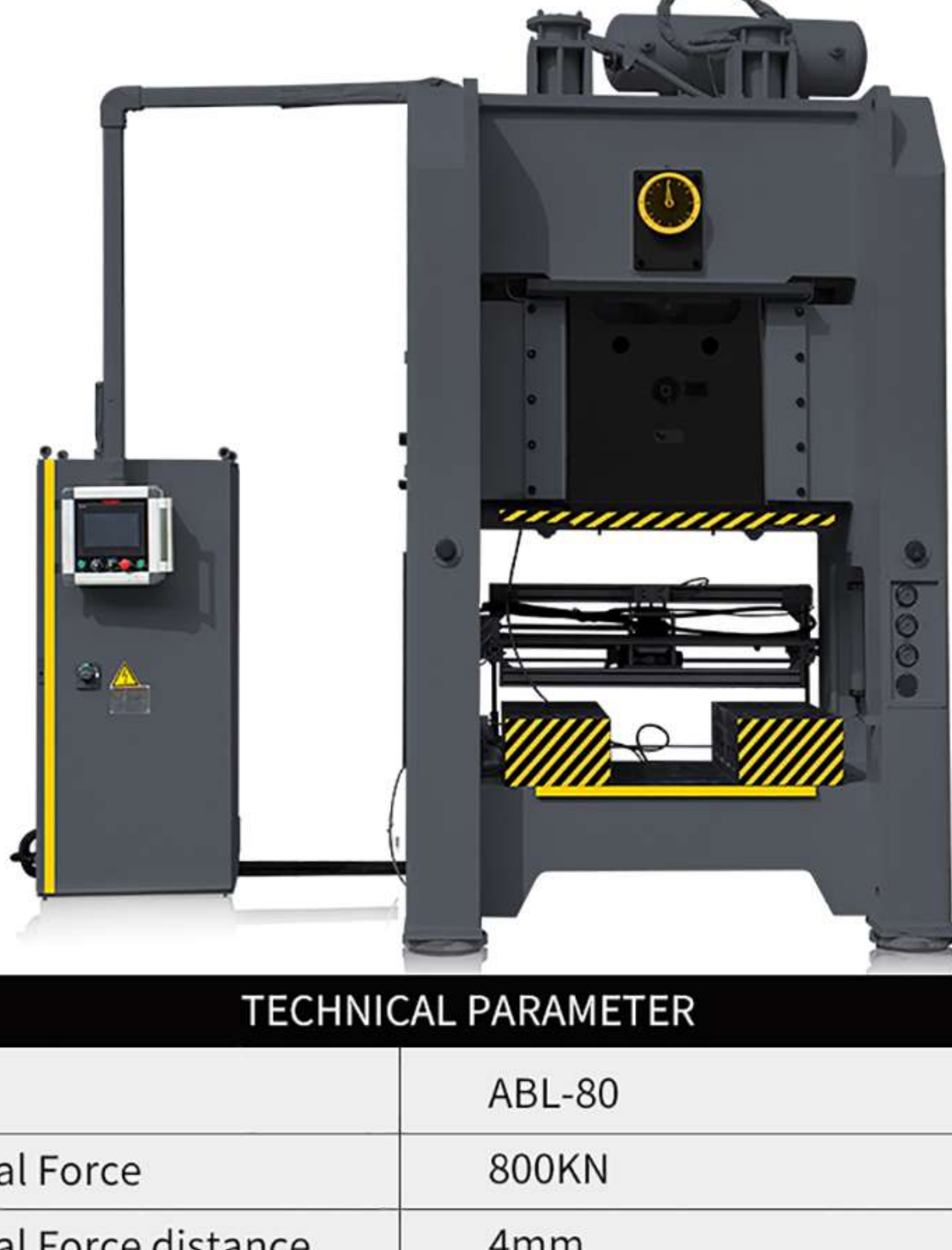


PRODUCT PARAMETERS



TECHNICAL PARAMETER

Name	ABL-80
Nominal Force	800KN
Nominal Force distance	4mm
Slide Block Stroke(optional)	240/280mm(optional)
Stroke Time	35-70time/min
Max. Die Height	500mm
RAM Adjustment Height	80mm
Magnetic Valve	12Group SMC Magnetic Vau
Work Block Dimension (front&back*left&right * thickness) (increase cope hole)	900*200*300 Moving platen
Work Plate Dimension (front&back*left&right)	520x750mm
Install Hole Dimension of Work Plate	470x470mm
Shank Hole Size (dimension*depth)	Φ60*deep 80
Stand column distance	1480mm
Air Pressure	0.6/Mpa
Gasholder	6
Shock Pad(Type:S78-10-05)	4
Voltge & Frequency (Optional)	380V-50HZ-3PHASE
Total Power	20KW
Total Dimension(LxWxH)	7000X2000X3700mm
Machine Weight (N.G.)	8000kg

PUNCHING MACHINE

SUITABLE FOR LARGE MOLDS

The Press which offers a large tool area is optimized for fast mould change and easy setup. The shut height is adjustable according to the mould requirement. The Press has 12PLC controlled solenoid valves with independent pressure regulators for optimal tool setup and adjustment. The Press is also equipped with 6additional pressure tanks for optimal air distribution.

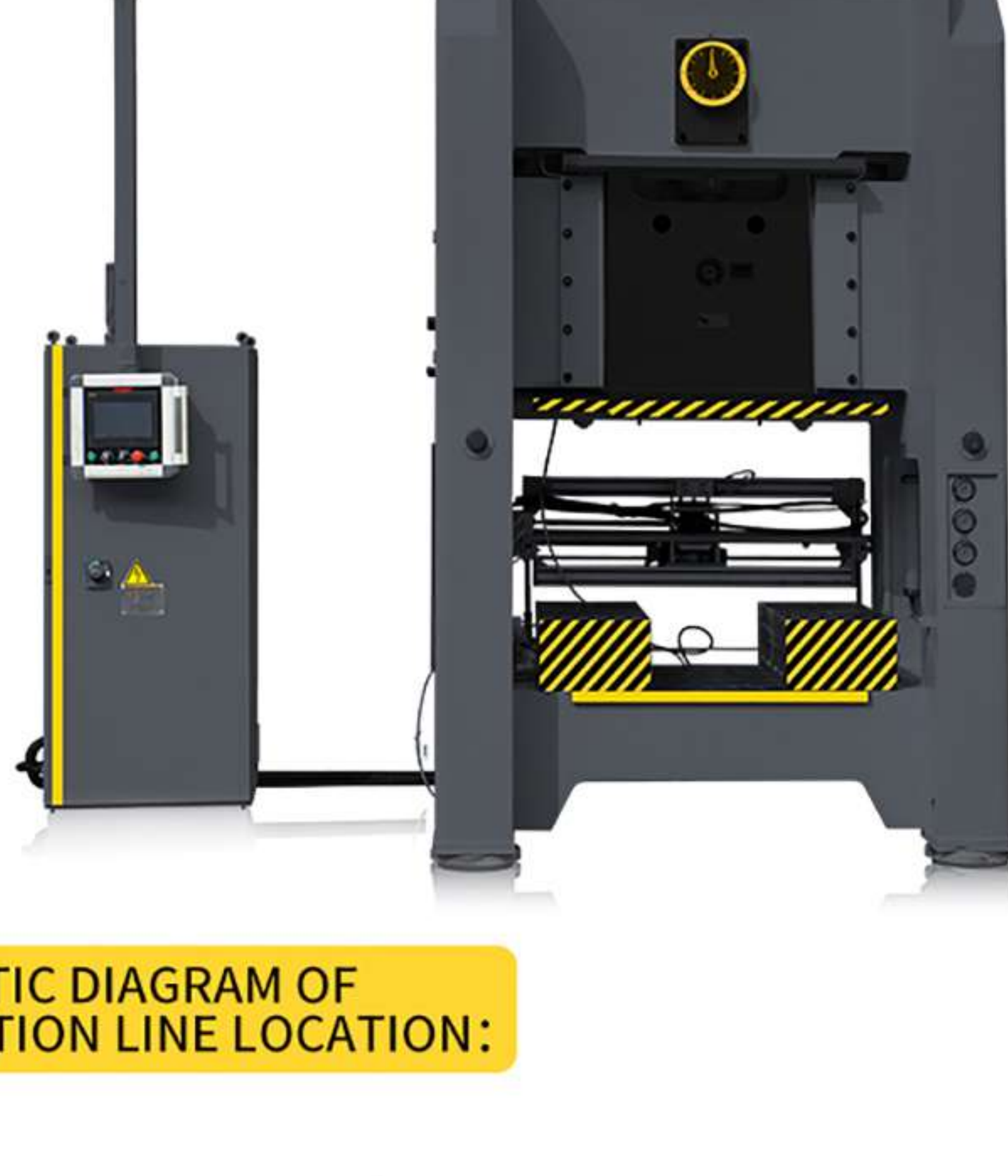
The operator of the machine only has to set up the packaging requirement(pcs to cout)at the touch screen and collect the finished counted and stacked products on the end of the line.



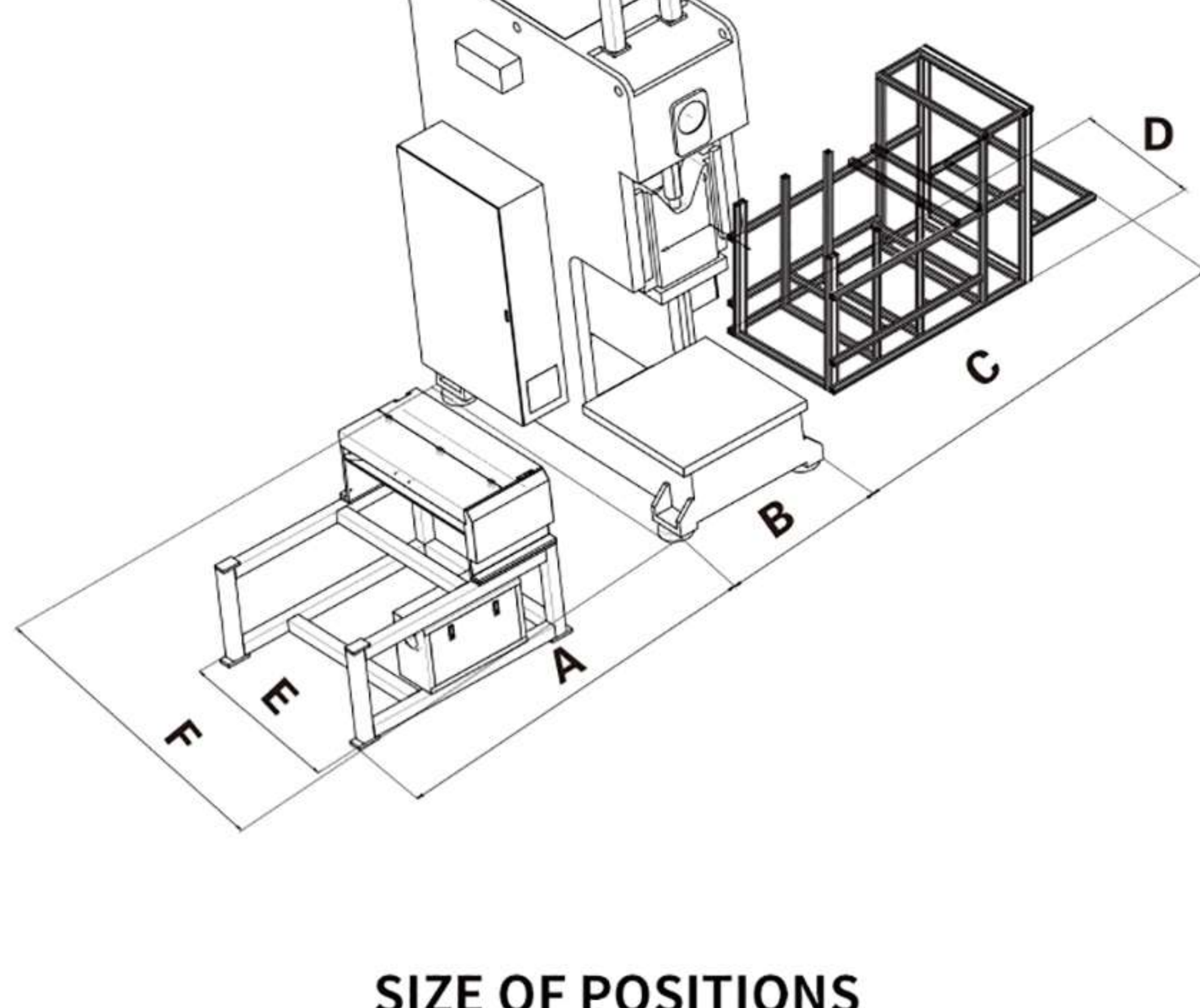
Note: multiple devices can be connected, and the body color can be customized.

Mechanical advantage

1. Welded body with steel plate and high intensity.
2. Main motor is made by Siemens.
3. Adopts combined pneumatic friction clutch and brake.
4. Cluster gear adopts the flooding oil lubrication.
5. Six-face rectangle lenthen guide.
6. Equipped with hydraulic overload protecting device.
7. Equipped with lifting balance cylinder.



SCHEMATIC DIAGRAM OF PRODUCTION LINE LOCATION:



SIZE OF POSITIONS OCCUPIED BY EACH COMPONENT

unit: mm

Model	ABL-45	ABL-63	ABL-80
A	2850	2850	3400
B	1300	1300	1500
C	3150	3150	3150
D	1600	1600	2150
E	1500	1500	1900
F	2100	2200	2150

WE DON'T JUST MAKE PRODUCTS...

SERVICE VOLUME, SERVICE AND COMMITMENT

As the standard of European mold, meets the sanitary rule of food-grade no-wash container production, solid structure (1100kg mold), the mold steel adopted is more wear-resistant, higher processing accuracy, 1-year after-sales warranty.

NO WORRIES AFTER SALES

We reserve the right to upgrade the production line and molds, but we promise that the purpose of technical upgrading and configuration modification is to improve the performance of equipment and molds. Thank you again for your support.

Return or change of goods without reasons

One year warranty

All-day after-sales service



On site debugging



+ Guided of maintenance



+ Service for repair